

3-inch Pumps

CC-3000-CG47-CHT

Discharge: 3"

Motor Characteristics:

“C” FACE HORIZONTAL OR VERTICAL
440 VAC, 3Ø, 60 HZ

Rated Output: 7 1/2 HP

Speed: 1800 RPM

Enclosure: TEFC

Bearings: BALL

Frame: 215 TCZ

Insulation: CLASS B

Weights & Descriptions

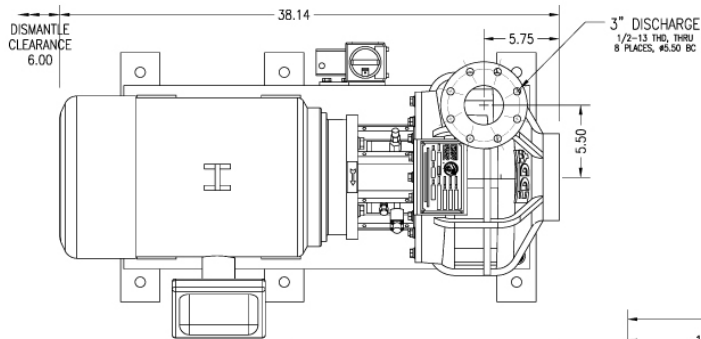
Material: CuNI and MONEL Conforms to MIL-P-24475

Unit Weight: 394 Total EST

Motor Weight: 213 EST

Pump Weight: 147 EST

Frame Weight: 34 EST



DESIGN CHARACTERISTICS

MATERIAL: SEE CHART
WEIGHT: 766 LBS, W/FRAME *
PUMP: 247 LBS *
MOTOR: 380 LBS *
FRAME: 139 LBS
CAPACITY: 100 GPM
DISCHARGE: 30 PSI (70FT TDH)
RATED HP: 20
CURRENT: 440 VAC, 3 ϕ , 60 HZ
SPEED: 1750 RPM

* EST
 FLANGES PER MIL-F-20042, 150#

